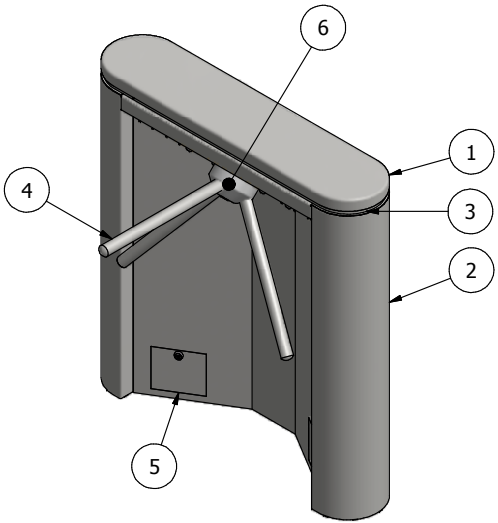
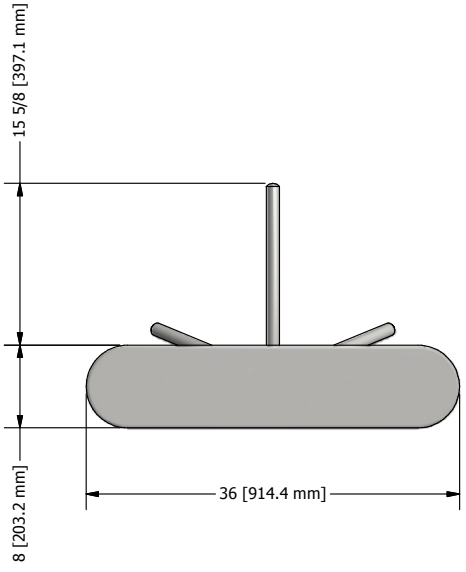


6 5 4 3 2 1



GENERAL NOTES:

TRILOCK-75ESRN: ONE DIRECTION ELECTRICALLY CONTROLLED
 TRILOCK-75ESRN2: TWO DIRECTIONS ELECTRICALLY CONTROLLED
 TRILOCK-75MSRN: MECHANICAL UNIT

LONGER ARMS AVAILABLE (17" SHOWN).

OPTIONAL PLATFORM AND RAILING AVAILABLE.

ELECTRICAL NOTES:

POWER SERVICE OPTIONS:

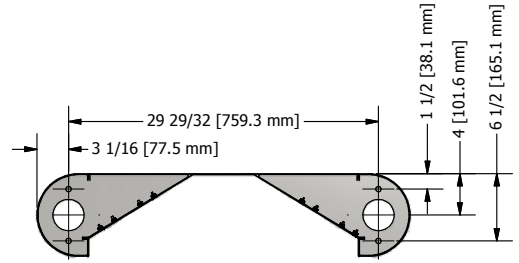
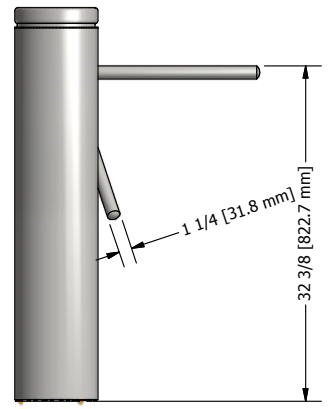
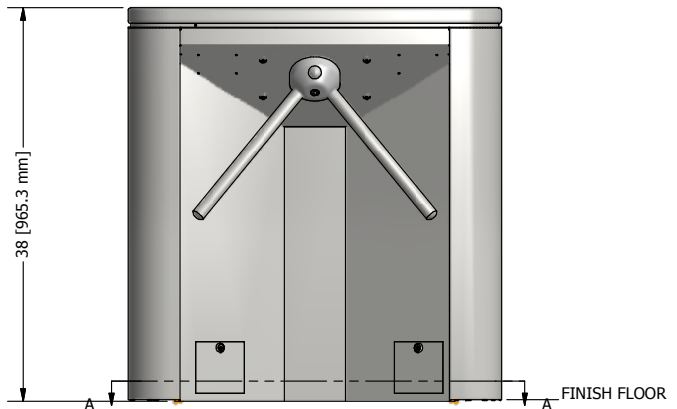
- 1. 24 VDC
- 2. 110 VAC SINGLE PHASE
- 3. 220 VAC SINGLE PHASE 50/60HZ
- 4. 220 VAC DUAL PHASE 50/60HZ

15A MAINS SERVICE REQ'D

AUTHORIZATION, FIRE ALARM REQUIRES DRY CONTACT FROM ACCESS CONTROL.

CODED NOTES:

- 1. COVER - STAINLESS STEEL (OPTIONAL CORIAN AVAILABLE).
- 2. CABINET - STAINLESS STEEL.
- 3. REVEAL - 304 STAINLESS STEEL.
- 4. ARM - STAINLESS STEEL n1-1/4" 16GA (3) TYP.
- 5. ACCESS DOORS (2) TYP.
- 6. HUB - ANODIZED ALUMINUM



**FLOOR PLAN
 SECTION A-A SCALE 1 / 12**

6 5 4 3 2 1

BOON EDAM
 Your Entrance. Our Technology.
 402 McKimsey PKWY., Lillington, NC 27546 (910) 814-3800 © BOON EDAM

TRILOCK-75SRN: GRAND PRIX ST. STEEL ELECTRIC T/S/ROUND NOSE
 Project: _____ Customer: _____
 Job #: _____ Contractor: _____
 Rev: _____ Architect: _____
 By: dvr
 Rev Date: _____

Page: 1 of 1
 Scale: _____